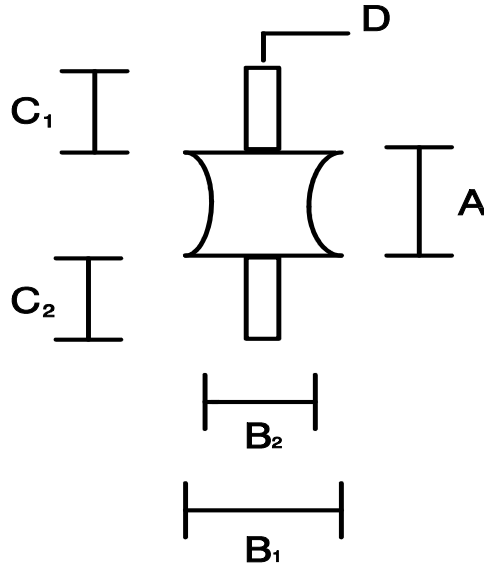
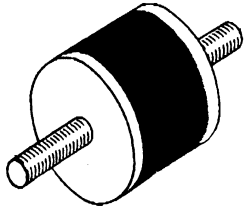


ANTI VIBRATION MOUNT - CONCAVE MALE MALE



A = Rubber Body Length
 B = Rubber Body Diameter - Max
 B2 = Rubber Body Diameter - Min
 C1 = Bolt Length - Top
 C2 = Bolt Length - Bottom
 D = Bolt Type - Diameter
 Hardness = 45-80 ± 5 Shore A
 Dimensions = mm

TYPE	A	B1	B2	C	D
CMMAVM1	49	45	35	10 - 30	5/16, M8
CMMAVM2	20	32	24	10 - 30	5/16, M8