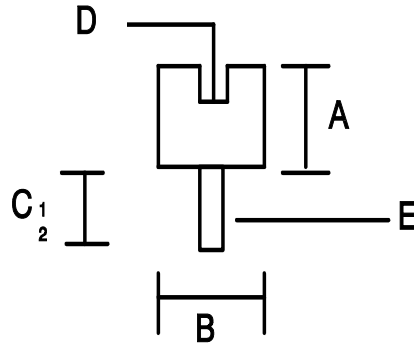
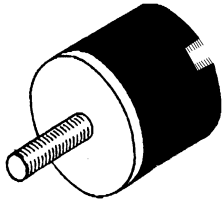


ANTI VIBRATION MOUNT - MALE FEMALE



A = Rubber Body Length
 B = Rubber Body Diameter
 C1 = Bolt Length - Minimum
 C2 = Bolt Length - Maximum
 D = Nut Type - Diameter
 E = Bolt Type
 Hardness = 45-80 ± 5 Shore A
 Dimensions = mm

TYPE	A	B	C	D	E
MFAVM1	25	19	15 - 40	1/4, M6, M8	1/4, M6, M8
MFAVM2	25	25	15 - 40	1/4, M6, M8	1/4, M6, M8
MFAVM3	20	40	20 - 40	3/8, M10	3/8, M10
MFAVM4	25	40	20 - 40	3/8, M10	3/8, M10
MFAVM5	35	40	20 - 40	3/8	3/8
MFAVM6	25	40	15 - 40	M8, M10	M8, M10
MFAVM7	40	40	15 - 40	M8, M10	M8, M10
MFAVM8	25	50	15 - 40	M10	M10
MFAVM9	44	50	15 - 40	M10	M10
MFAVM10	20	50	15 - 40	M10	M10
MFAVM11	24	55	15 - 40	M12	M12
MFAVM12	50	75	15 - 40	M12	M12
MFAVM13	35	75	15 - 40	M12	M12
MFAVM14	76	87	15 - 40	M16	M16