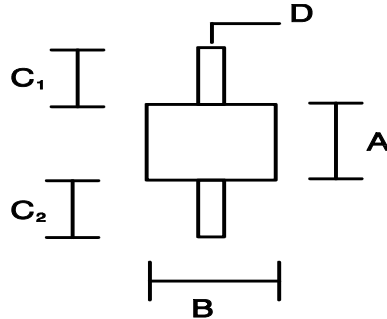
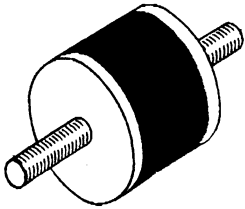


## ANTI VIBRATION MOUNT - MALE MALE



A = Rubber Body Length  
B = Rubber Body Diameter

C1 = Bolt Length - Top

C2 = Bolt Length - Bottom

D = Bolt Type - Diameter

Hardness = 45-80 ± 5 Shore A

Dimensions = mm

TYPE	A	B	C	D
MMAVM1	25	19	15 - 40	1/4, M6, M8
MMAVM2	25	25	15 - 40	1/4, M6, M8
MMAVM3	20	40	20 - 40	3/8, M10
MMAVM4	25	40	20 - 40	3/8, M10
MMAVM5	35	40	20 - 40	3/8
MMAVM6	25	40	15 - 40	M8, M10
MMAVM7	40	40	15 - 40	M8, M10
MMAVM8	25	50	15 - 40	M10
MMAVM9	44	50	15 - 40	M10
MMAVM10	20	50	15 - 40	M10
MMAVM11	24	55	15 - 40	M12
MMAVM12	50	75	15 - 40	M12
MMAVM13	35	75	15 - 40	M12
MMAVM14	76	87	15 - 40	M16