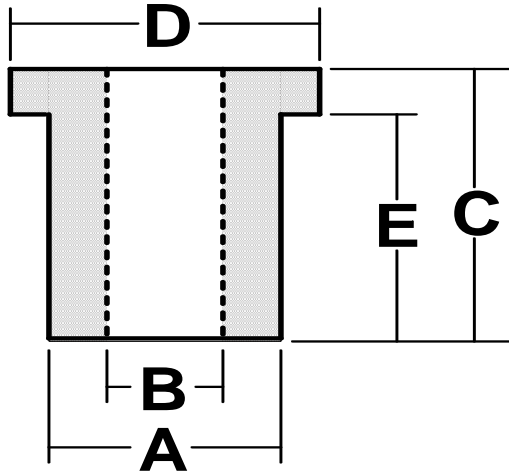


BUSH - SHACKLE



A = Outside Diameter
 B = Inside Diameter
 C = Length
 D = Flange Length
 E = Bush Length
 Hardness = 45-80 ± 5 Shore A
 Dimensions = mm

PART #	NAME	A	B	C	D	E
12210	Bush	56	31	69	68	56
14505	Bush	29	9	10	34	7
30005	2V500	34.5	24	13	40	8.5
30010	Bush	36	21	30	41	26
41004	S109	24.5	12.7	35.5	28	30
41005	S112	22	12.7	28	25.4	23
41015	S197	24.5	12.7	34.5	28	30
41225	2A5875	25	14	17	27.5	12.5
41300	½" Radiator	18.5	12	16	22	11
41305	3/8" Radiator	16	9.4	16.7	21.5	12.7
41306	1" Radiator	32	25.4	15	35	11
41325	Bush	31.5	19	42	35	37
41555	1H Bush	40	22	38.5	52	32